

SO4100 HYDROPLAY ACE

Portable basketball unit Hydroplay ACE, approved for international competitions (FIBA certificate Level 1), tested by the institute TUV Italia, meeting requirements and compliant with standards EN 1270. The system when delivered comes complete with the following elements:

- a set of protective pads for front frame and projection arm, 15 cm thick, covered with washable material, designed according to FIBA requirements;
- basketball backboards 180x105 cm, 12 mm thick, made of tempered glass, in compliance with standards EN 12150; backboards are equipped with covers of lower edges and red LED lights (possibility of connection with 24 sec. clocks);
- tilting basketball ring with the net attaching system without hooks; nylon basketball net;
- rear plates for anchoring to the floor.

Hydraulic, electric control allows to adjust the height of the entire structure for professional basketball or mini-basketball play.

"REST" position (folded unit) facilitates the transport of the structure and its storage. Approximate weight of complete system: 1300 kg.

1-80



SO4110 EASYPLAY OFFICIAL

Mobile basketball unit with dynamic counterbalance. Painted steel structure, hinges and joints fitted on antifriction bearings. Adjustable height and position of backboards. "PLAY" position (basketball structure unfolded) and "REST" position (basketball structure folded) is activated with the use of innovative, patented counterbalance system, which completely replaces a traditional electromechanical, electrohydraulic and hydraulically manual system. The front and rear cart internally integrated on the base of the unit, which is automatically lifted or lowered when the system folds or unfolds the structure, without the need to control carts. The front protective pads are covered with synthetic washable material 15 cm thick.

The set includes:

- 2 safety glass backboards 180x105 cm, 12 mm thick, with covers of lower edges;
- 2 tilting basketball rings with nets.

The system is equipped with rear plates for anchoring to the floor.

The system complies with FIBA standards.

1-70





S04106 HYDROPLAY OFFICIAL

Oleo-dynamic mobile basketball backstops. Varnished steel structure, hinges and joints fitted on bearings (pivotal or antifriction positions). Adjustable height and position of boards. "PLAY" position (basketball structure unfolded) and "REST" position (basketball structure folded) is activated with the use of oleo-dynamic delivery pump panel. Steam regulator ensures the increase or decrease of the rate of lifting or lowering the board. The valve permanently fitted on the cylinder guarantees the blockage of movement in the desired direction during irregular and unsmooth operation, caused by clogged or cracked wires. Mobile system consists of two mobile and two stationary wheels, which are pulled out or retracted when basketball unit is lifted or lowered. Shield is covered with synthetic and washable material 15 cm thick. Safety glass boards equipped with covers of lower edges. Mobile basketball ring with the net made of reinforced cotton. Approximate weight of a complete system: 1050 kg. The system when delivered comes complete with the following elements: two tempered safety glass boards 180x105 cm with the thickness of 12 mm, with covers of lower edges; two basketball rings with nets. The system contains rear plates for anchoring to the floor. Projection: 330 cm. Required length for proper setting: 425 cm. Dimensions after folding: 410x185x170 cm. The system complies with FIBA standards.

1-74



Portable basketball backstop NAJA 325

1-79

Portable basketball backstop NAJA 325, projection 3,25 m, hydraulically folding, with possibility of height adjustment for mini-basketball play (h = 260 cm). Equipped with safety glass backboard 105x180 cm, tilting ring with a tournament net, structure and basketball backboard protecting pads. FIBA approved (Level 1). The structure equipped with a system to ensure safe floor load - Dynamic Base Frame (DBF) - movable base frame is lowered during the basket lift, and loads the floor on the large area. Dimensions after folding: H = 186 cm, S = 190 cm. Steel ballast load in a form of bars. The weight of a whole structure: 950 kg.

1-79-2

Portable basketball backstop NAJA 325 MULTIEXTEND

Portable basketball backstop NAJA 325 MULTIEXTEND, projection 3,25 m, hydraulically folding, with possibility of height adjustment for mini basketball play (h = 260 cm). Equipped with safety glass backboard 105x180 cm, tilting ring with a tournament net, structure and basketball backboard protecting pads. FIBA approved (Level 1). The structure equipped with a system to ensure safe floor load - Dynamic Base Frame (DBF) - movable base frame is lowered during the basket lift, and loads the floor on the large area. MULTIEXTEND system allows to change projection in the range of 325 - 225 cm. Dimensions after folding: H = 186 cm, S = 190 cm. Steel ballast load in a form of bars. The weight of a whole structure: 1000 kg.



Portable backstop NAJA 225

Designed according to the world standards, produced using the highest quality materials. Folded hydraulically, manually or with electric motor support.

Portable basketball system with single arm, projection 225 cm.

Mobile system consists of two mobile and two stationary wheels, which are pulled out or retracted when basketball unit is lifted or lowered.

The system contains rear plates for anchoring to the floor.

Protective pads are covered with washable material 10 cm thick.

Total weight: 750 kg.

Safety glass backboards equipped with covers of lower edges.

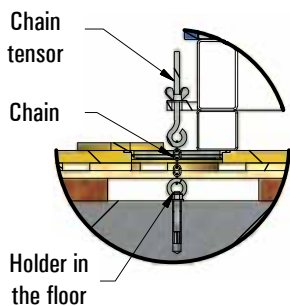
Mobile basketball ring with the net made of reinforced cotton.

The system can be used to play mini-basketball.

1-77 Hydraulically manually folded

1-78 Hydraulically folded with electric motor support

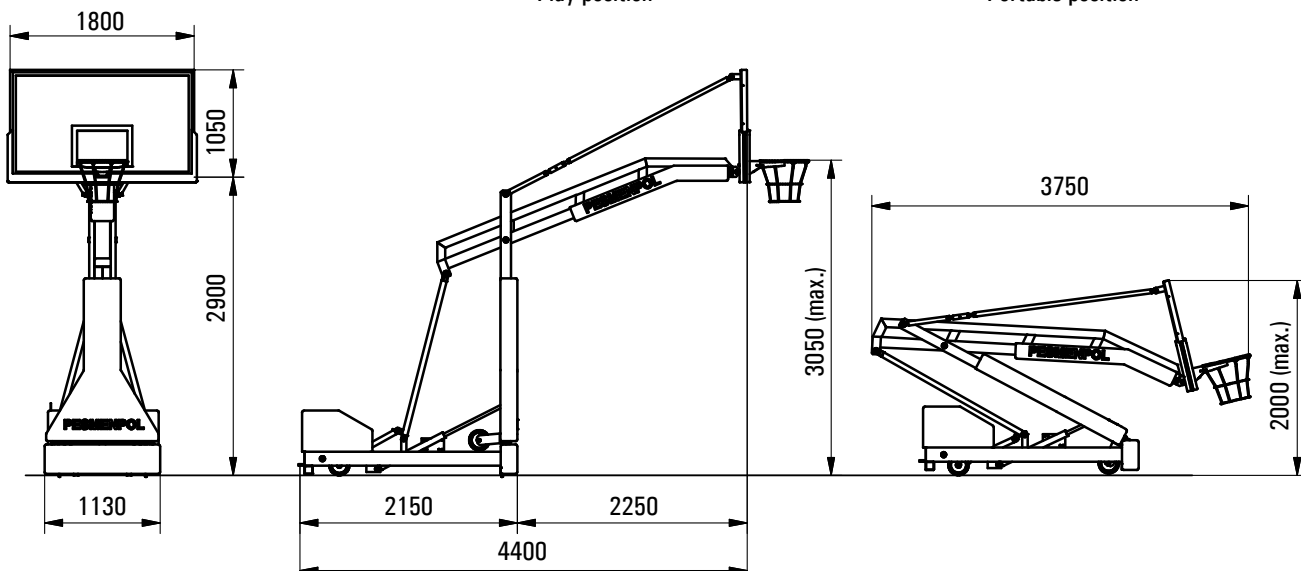
Assembly of the holder to the floor



Play position



Portable position



Portable basketball backstop NAJA MINI 125

Portable basketball backstop with projection 125 cm. Intended for mounting for basketball backboards with dimensions 90x120 cm or 105x180 cm; adjustable height 200 – 260 - 305 cm (using a screw mechanism). Equipped with safety protection pads and rotating wheels. Total weight: 420 kg.

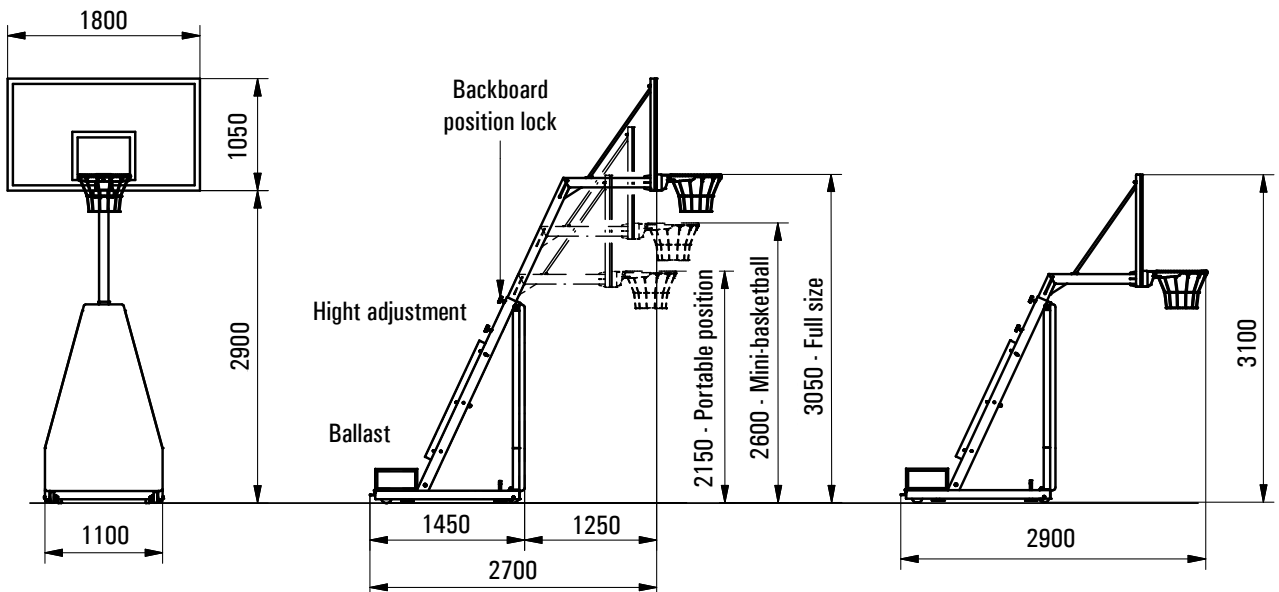
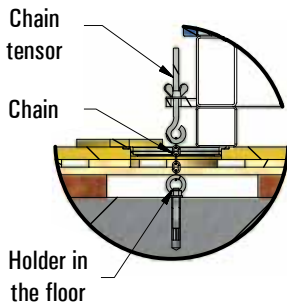
To provide safety in use, the set is equipped with counterbalance in a form of steel case weights; all further fastened to the floor by masked holder. Structure mainly used as the primary baskets in small halls and as the side baskets in large sports halls, where mounting the backboards to the wall or to construction beams is difficult. Projection arm designed for mounting all types of backboards (made of tempered or acrylic glass and epoxy board); the set can be equipped with various types of basketball rings: tilting, stationary (strengthened or standard), or popular.

1-65 Portable basketball backstop with projection 125 cm

1-65-1 Portable basketball backstop with projection 125 cm.
Electric height adjustment system



Assembly of the holder to the floor





Suspended basketball structure with an electric drive

Suspended basketball structure with an electric drive is mounted to the hall's ceiling structure and it is made of closed steel profiles, which ensures complete stability of individual elements.

The structure, fixing the backboard, is raised and lowered using steel wires, wound onto the drum of an electric motor with a voltage 230V, P=410W. After lowering, the backboard is laid in a vertical position (the height of the ring from the ground – 3,05 m).

This structure is intended for use in sports halls of a length exceeding 36 m and with the lower ceiling surface up to 10,5 m high.

The backboard can be folded forward or to the back, depending on the construction of the hall.

Each structure and fixing system are customize, considering parameters of the particular sports hall.

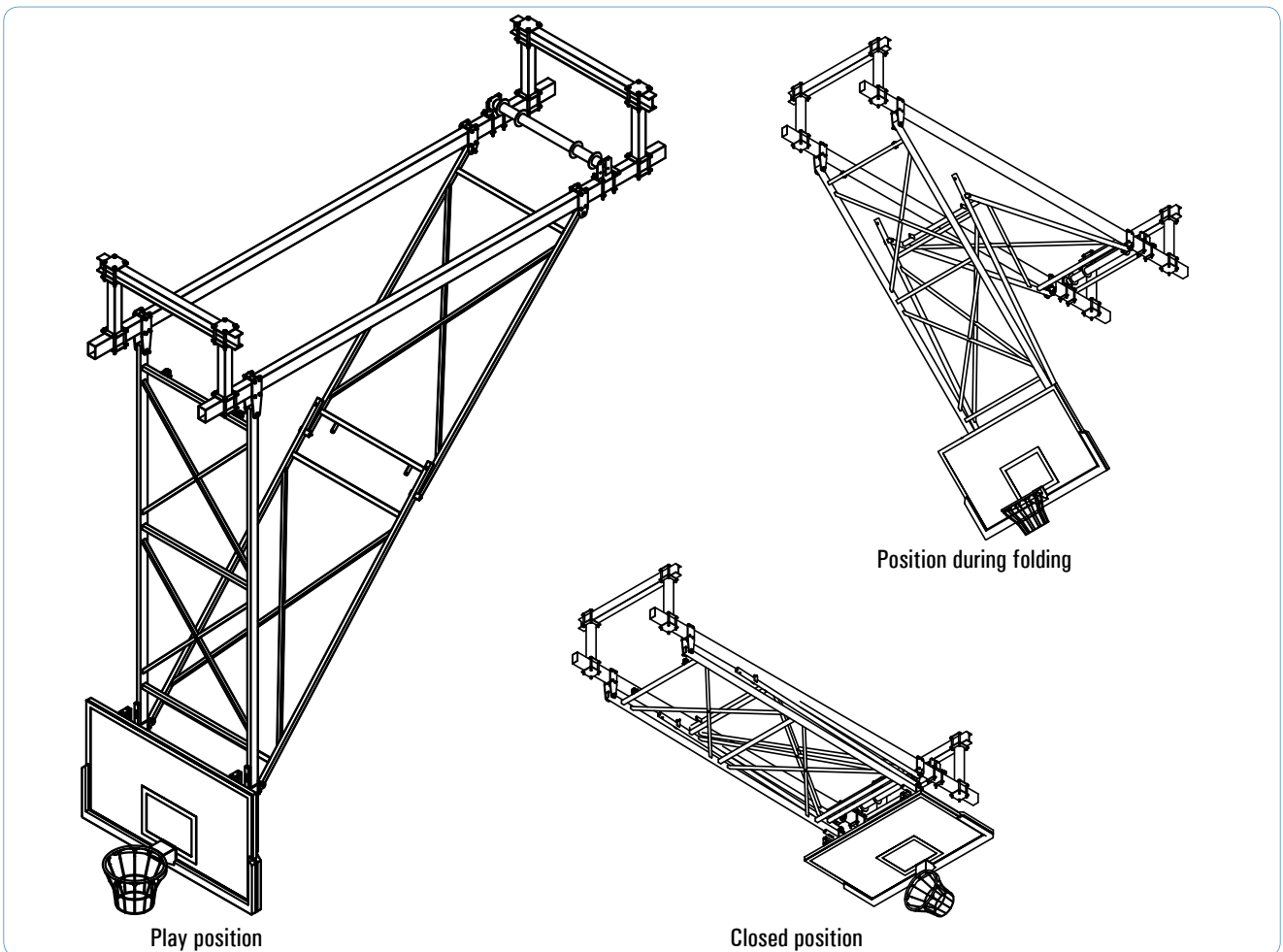
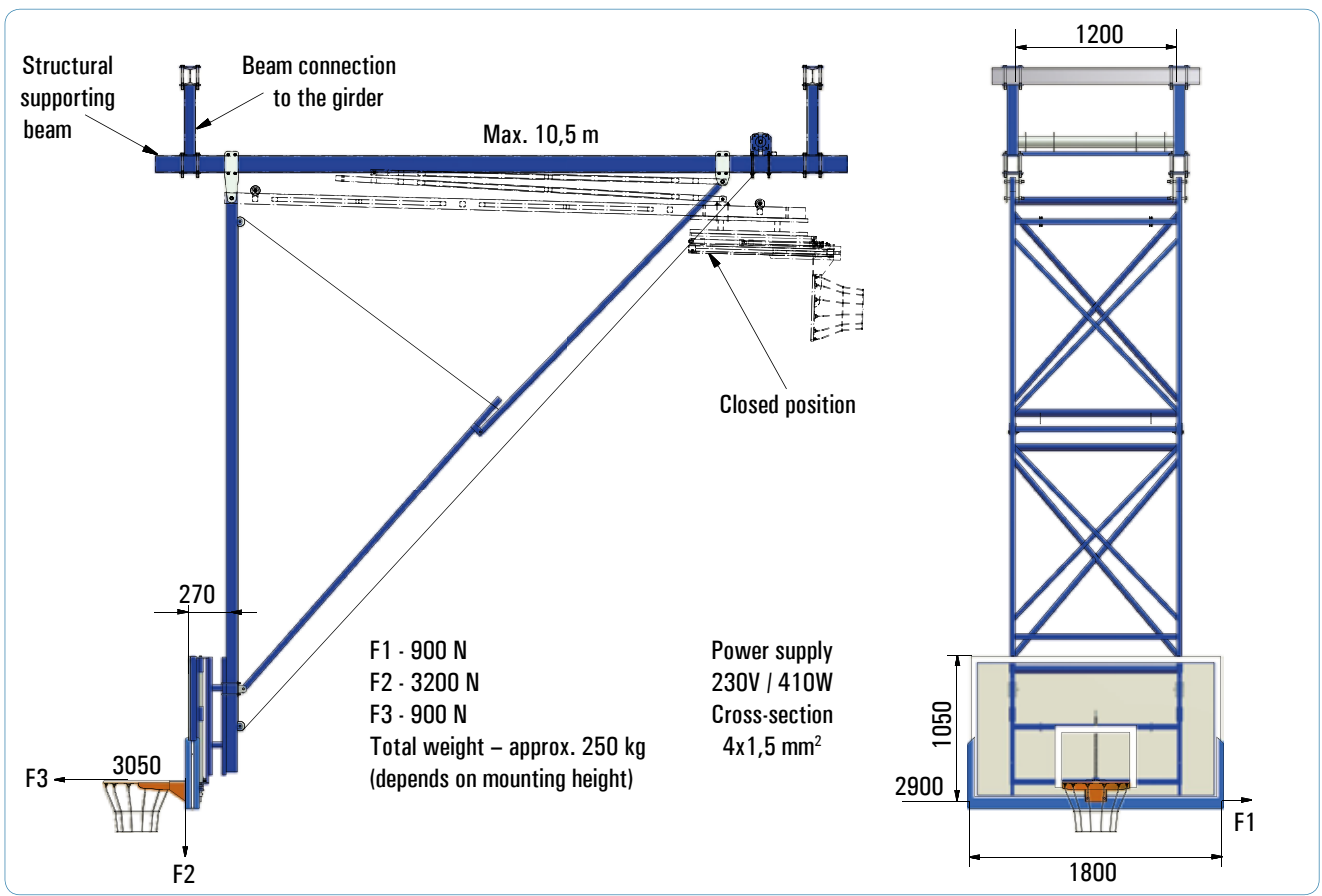
Motor control is performed by the switch, placed in the control cassette, or by the wireless remote.

Total weight of the structure with the backboard is 250 - 350 kg.

1-25

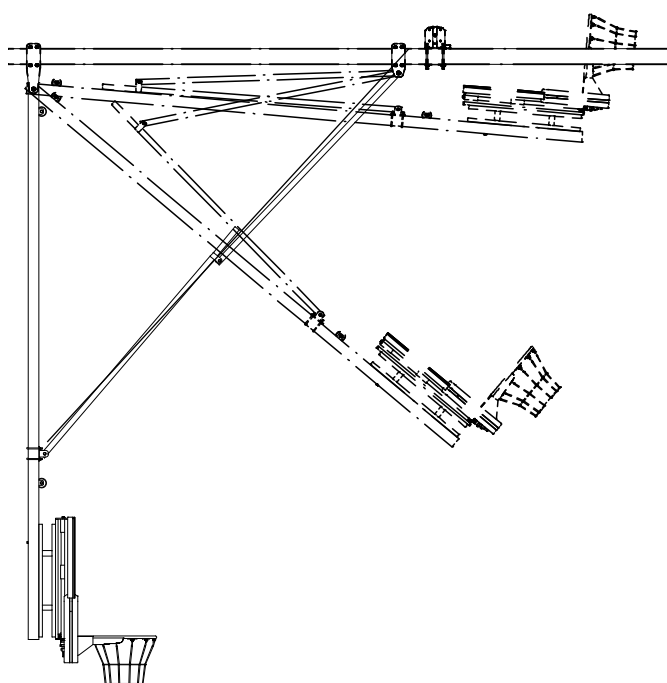


COMPLIANCE WITH
PN
PN-EN STANDARDS





Forward folding structure – simulation



Examples of fixings of various types of structures in sports facilities



Forward folding structure



Back folding structure



Structure fastened to the sloping roof



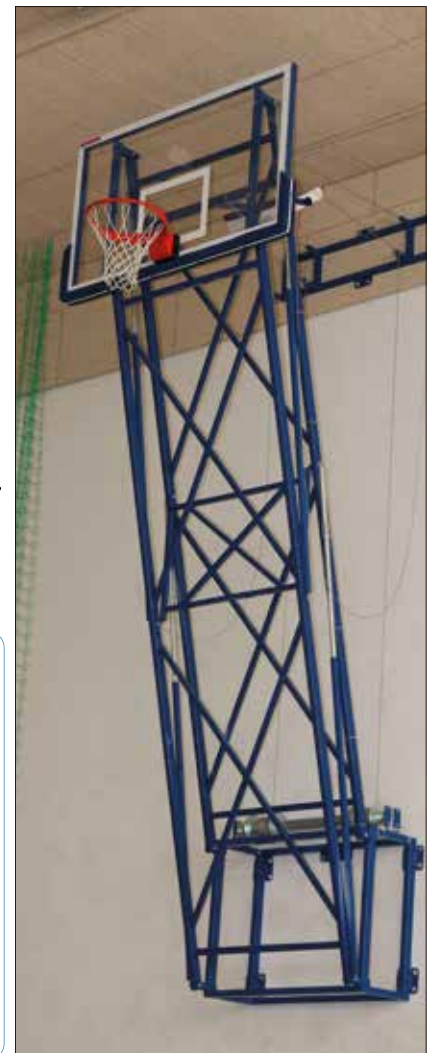
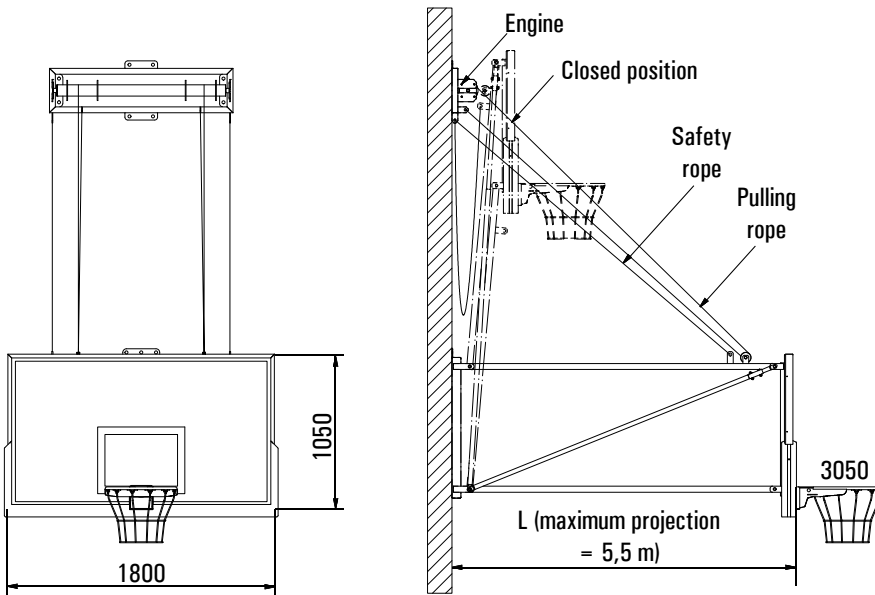
Structure mounted between girders



Mounting to a wooden girder



Mounting to a steel girder



Vertically lifted basketball structure with an electric drive

The structure allows to fold the basketball backboard vertically up towards the wall. The drive, lifting the structure, is electric engine 220V, P=410W. The structure, made of powder coated closed steel profiles, is mounted to the supporting structure of the building. Used construction materials provide safety and comfort, as well as stability of fixed backboards with the rings. The stability is achieved by installing additional stays. Structure is intended for mounting all types of basketball backboards, with the distance of the face of the backboard from the wall up to 550 cm.

1-24-1 Structure with projection up to 200 cm **1-24-2** Structure with projection 200 - 400 cm

1-24-3 Structure with projection 400 - 550 cm



Tilting basketball structure

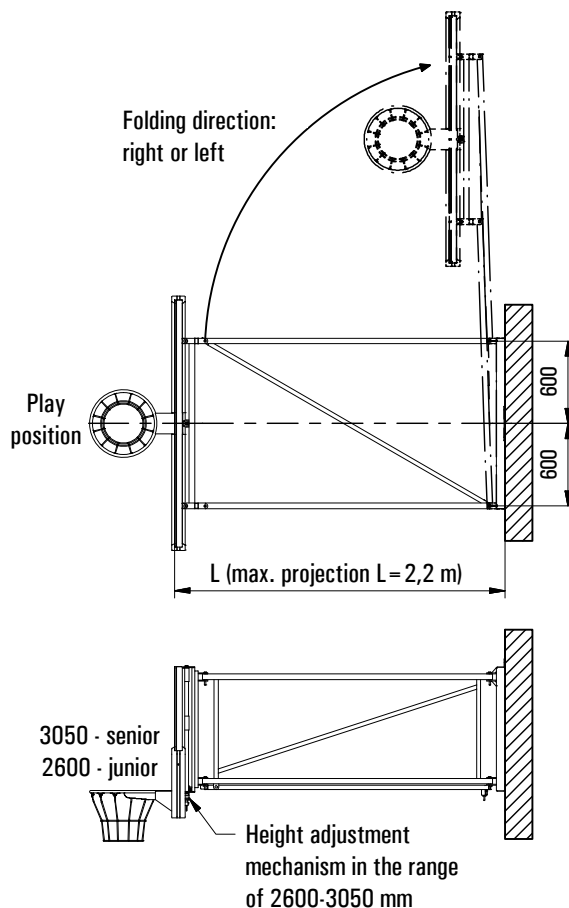
The structure allows to fold the basketball backboard horizontally towards the wall by manual pulling the lock, using a special handle. Made of powder coated closed steel profiles, mounted to the supporting structure of the building. Used construction materials provide safety and comfort, as well as stability of fixed backboards with the rings. Structure is intended for mounting all types of backboards, with the distance of the face of the backboard from the wall 100 - 220 cm.

1-22-1 Structure with projection 100 - 160 cm

1-22-2 Structure with projection 170 - 220 cm



Option of structure with oblique frame



Stationary basketball structure

The structure is made of powder coated steel profiles, mounted to the supporting structure of the building. Used construction materials provide safety and comfort, as well as stability of fixed backboards with the rings.

Structure is intended for mounting all types of basketball backboards, with the distance of the face of the backboard from the wall up to 120 cm.

1-21





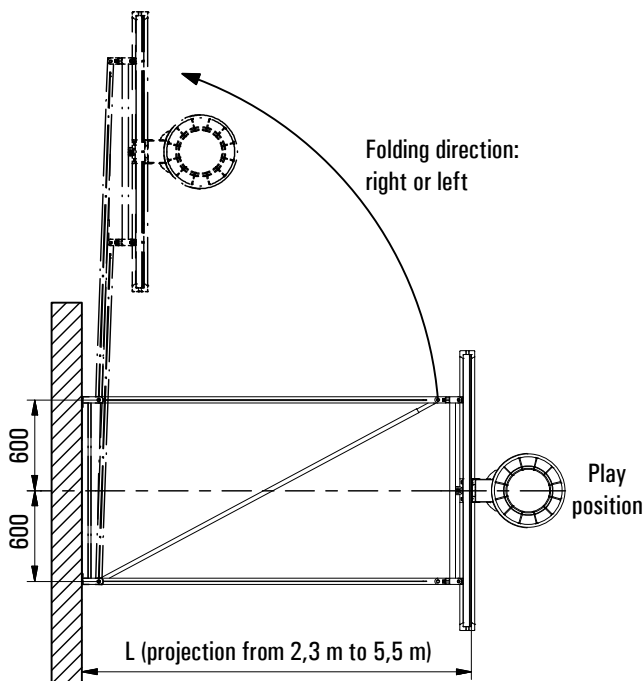
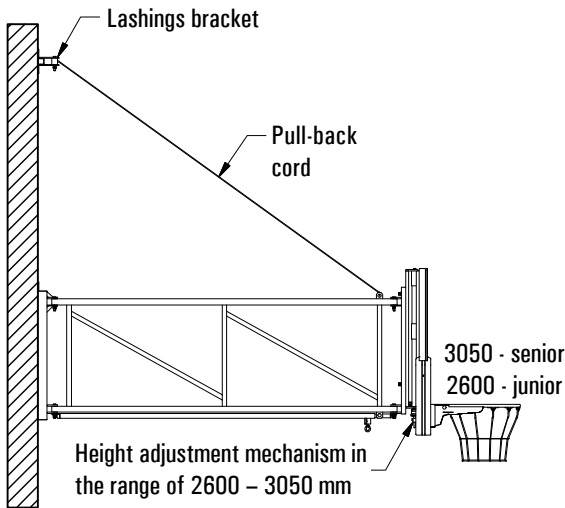
Tilting basketball structure with lashings, side wall foldable

Basketball tilting structure with lashings allows to fold the basketball backboard horizontally towards the wall by manual pulling the lock, using a special handle. Mounted structure is additionally secured by installation of lashings.

The structure, made of powder coated closed steel profiles, is mounted to the supporting structure of the building. Used construction materials provide safety and comfort, as well as stability of fixed backboards with the rings.

Structure is intended for mounting all types of basketball backboards, with the distance of the face of the backboard from the wall 230 - 550 cm.

Also produced in a version, where a part of the structure is permanently fixed and the part is folded towards the wall. Each time the length of the construction is customized, after adjusting to the parameters of the sports hall.



1-23-1 Structure with projection 230 - 330 cm

1-23-2 Structure with projection 340 - 440 cm

1-23-3 Structure with projection 450 - 550 cm



The structure with permanent part, used in case of an obstacle, which makes impossible to fold the whole structure (e.g. protective net)



Structure mounted to a wooden girder



Special structure, mounted to the structure of the roof



Structure oblique up, mounted to the balcony



Structure mounted between reinforced concrete pillars



Structure mounted to the steel pillar



Structure mounted to the reinforced concrete pillar

Portable basketball set

Intended for use on outdoor or indoor training courts. Requires the use of ballast (hardened surface) or fixing pins (soil). Equipped with epoxy backboard type MiniStreetBall 90x77 cm, popular basketball ring and basketball net. Adjustable height of the base.

1-27



Basketball set installed on gymnastic wall bars

Basketball set installed on gymnastic wall bars, designed for trainings in sports halls. The set consists of the backboard and basketball ring with the net. Equipped with steel handle for suspension on gymnastic wall bars rungs. The structure of the fixing handles guarantees safe and stable suspension of the backboard. This set is very easy to assemble and convenient to store.

1-1000

Basketball set installed on gymnastic wall bars, backboard 90x120 cm

1-1001

Basketball set installed on gymnastic wall bars, backboard MiniStreetBall 90x77 cm



Wall-mounted training basketball set

Compact wall-mounted basketball set with backboard 90x120 cm (without the metal frame), popular basketball ring and basketball net. Intended for installation on the transverse training courts in sports halls. It can also be used as the main basket in small gyms or as a home training kit. The structure is made of steel profiles, powder coated. The ring is mounted directly to the steel frame, therefore backboard's plate is not subjected to damage as a result of loads occurring on the basket. Version for outdoor use, with hot-dip galvanized structure, available on special request.



1-103-K

Wall-mounted training basketball set with height adjustment, projection: 60 cm



1-104-K

Wall-mounted training basketball set, projection: 70 cm

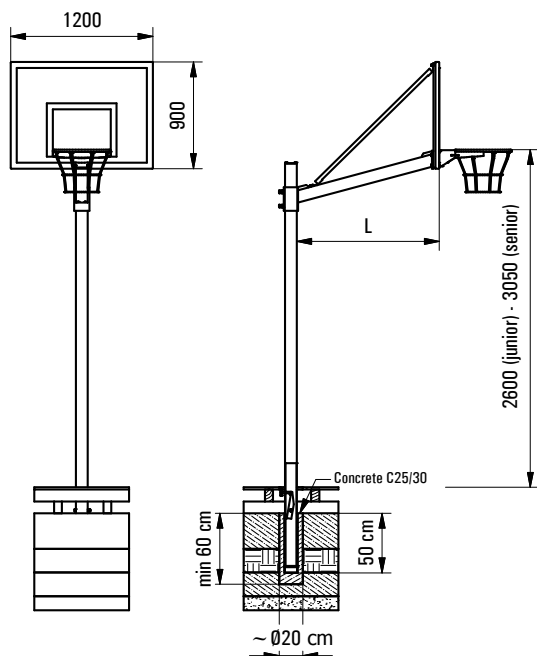
Single- or double post basketball structures, intended for indoor use

Single- or double-post basketball structures for backboards with dimensions 90x120 and 105x180 cm. The structure is made of closed square steel profile 100x100 mm, protected against corrosion by powder coating.

This design allows to set the basket at any height; an arm, fixing the backboard, available in lengths: 1,2 m, 1,4 m and 1,6 m. The structure is produced in two versions: permanently mounted or mounted in a sleeve (demountable). Structure is intended for mounting epoxy or acrylic basketball backboards, and all types of basketball rings. It is possible to install a height adjustment mechanism, which allows smooth adjustment of the height of the backboard, without the need to adjust the projection arm.

1-26

1-29



Single-post basketball structure – type: anti-vandal

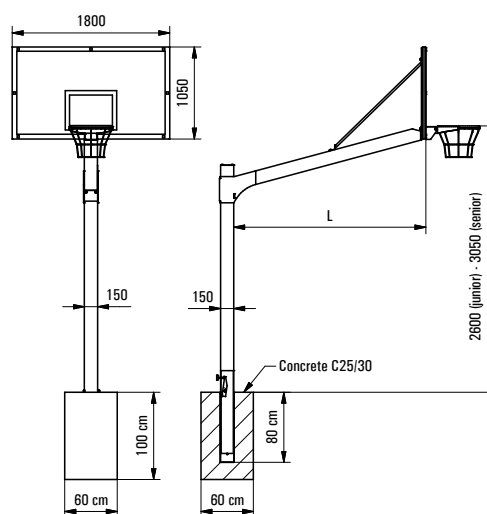
Durable and resistant to damage single-post basketball structure for backboard with dimensions 105x180 cm is made of closed square steel profile 150x150 mm, protected against corrosion by hot dip galvanizing.

This design allows to set the basket at any height; an arm, fixing the backboard, available in four lengths: 1,2 m, 1,4 m, 1,6 m and 2,2 m.

The structure, intended for outdoor use (playgrounds, school courts), is produced in two versions: permanently mounted or mounted in a sleeve (demountable). Structure is intended for mounting epoxy backboards or steel lattice backboards, and all types of galvanized basketball rings.

It is possible to install a height adjustment mechanism, which allows smooth adjustment of the height of the backboard, without the need to adjust the projection arm.

1-29





Single-post basketball structure

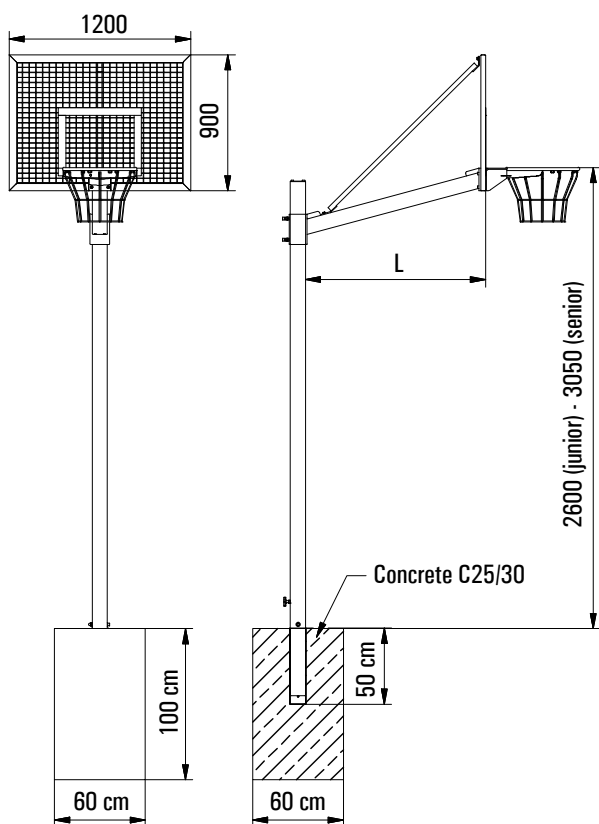
Single-post basketball structure for backboard with dimensions 90x120 cm or 105x180 cm is made of closed square steel profile 100x100 mm, protected against corrosion by hot dip galvanizing.

This design allows to set the basket at any height; an arm, fixing the backboard, available in three lengths: 1,2 m, 1,4 m and 1,6 m. The structure, intended for outdoor use (playgrounds, school courts), is produced in two versions: permanently mounted or mounted in a sleeve (demountable).

Structure is intended for mounting epoxy backboards or steel lattice backboards, and all types of galvanized basketball rings. It is possible to install a height adjustment mechanism, which allows smooth adjustment of the height of the backboard, without the need to adjust the projection arm.

1-26

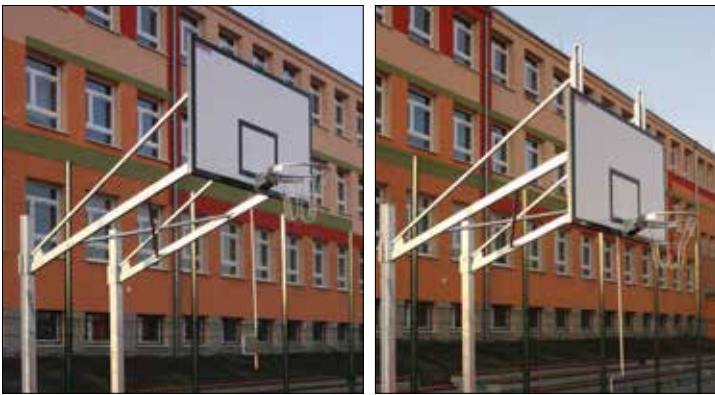
1-29



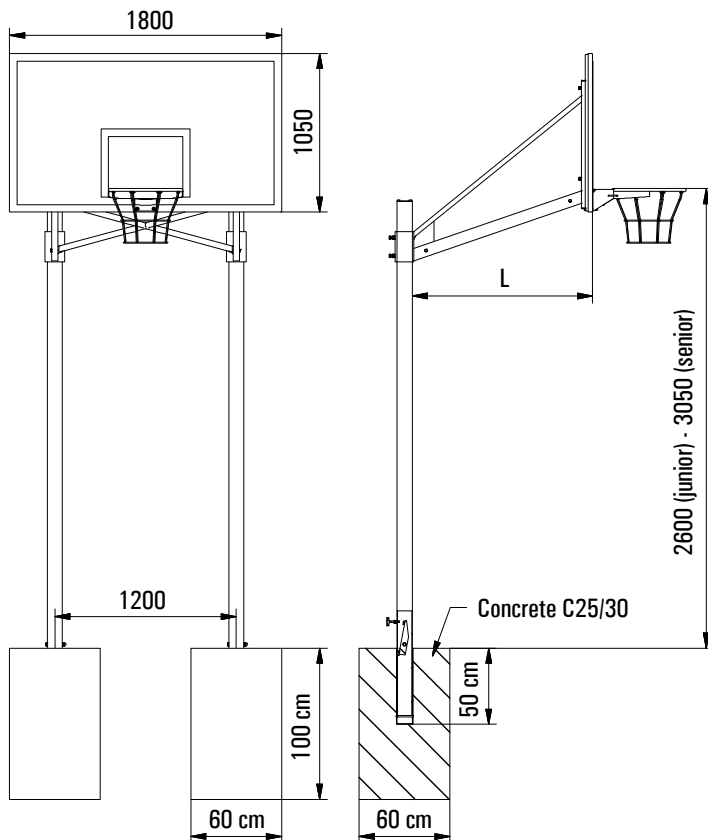
Epoxy basketball backboard with height adjustment mechanism



Steel basketball backboard (lattice, VEMA type)



Double-post basketball structure with height adjustment mechanism



Double-post basketball structure

Double-post basketball structure for backboard with dimensions 105x180 cm is made of closed square steel profile 100x100 mm, protected against corrosion by hot dip galvanizing.

This design allows to set the basket at any height; an arm, fixing the backboard, available in four lengths: 1,2 m, 1,4 m, 1,6 m and 2,2 m.

The structure, intended for outdoor use (playgrounds, school courts), is produced in two versions: permanently mounted or mounted in a sleeve (dismountable).

Structure is intended for mounting epoxy backboards or steel lattice backboards, and all types of galvanized basketball rings. It is possible to install a height adjustment mechanism, which allows smooth adjustment of the height of the backboard, without the need to adjust the projection arm.

1-28



Steel basketball backboard (lattice, VEMA type)



Professional basketball backboard 180x105 cm, tempered glass 12 mm thick

Professional basketball backboard, dimensions 180x105 cm, tempered glass 12 mm thick, mounted on metal frame, no-hole system of mounting glass plate to the main frame.

Fixing the ring to the backboard's structure prevents the transmission of loads from the ring to the backboard. For safety reasons, it is necessary to mount the protective pads for lower edge of the tempered glass backboard.

Comply with FIBA regulations.

1-10 Basketball backboard 105x180 cm, tempered glass 12 mm thick



Basketball backboards 90x120 and 105x180 cm, acrylic glass, mounted on metal frame

Basketball backboards, dimensions 90x120 cm and 105x180 cm, transparent acrylic glass, installed on metal frame.

Fixing the ring to the backboard's structure prevents the transmission of loads from the ring to the backboard.

For safety reasons, it is necessary to mount the protective pads for lower edge of the tempered glass backboard.

1-11 Backboard 105x180 cm, acrylic glass 15 mm thick

1-12 Backboard 105x180 cm, acrylic glass 10 mm thick

1-14 Backboard 90x120 cm, acrylic glass 10 mm thick



Basketball backboards 90x120 and 105x180 cm, non-transparent epoxy board, installed on metal frame

Basketball backboards, dimensions 90x120 cm and 105x180 cm, non-transparent epoxy board 18 mm thick, installed on metal frame.

Fixing the ring to the backboard frame prevents the transmission of loads from the ring to the backboard.

1-15 Epoxy backboard 90x120 cm

1-13 Epoxy backboard 105x180 cm





Basketball backboards 90x120 cm and 105x180 cm, epoxy, on hot dip galvanized metal frame

Basketball backboards with dimensions 90x120 cm and 105x180 cm, non-transparent epoxy board 18 mm thick, installed on metal frame, protected against corrosion by hot dip galvanizing.

Fixing the ring to the backboard frame prevents the transmission of loads from the ring to the backboard.

1-83 Training epoxy backboard 90x120 cm, 18 mm thick

1-84 Professional epoxy backboard 105x180 cm, 18 mm thick



Basketball backboards 90x120 cm and 105x180 cm, steel lattice, on hot dip galvanized metal frame

Basketball backboards with dimensions 90x120 cm and 105x180 cm, entirely made of steel. The lattice is mounted inside the steel frame, all protected against corrosion by hot dip galvanizing. Intended for outdoor use, available in two versions: for mounting on a single-post structure and on double-post structure.



1-81 Professional backboard 105x180 cm

1-82 Training backboard 90x120 cm

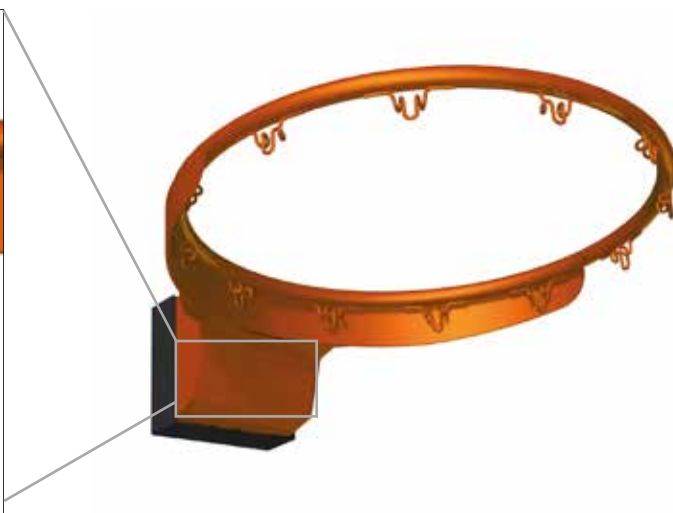
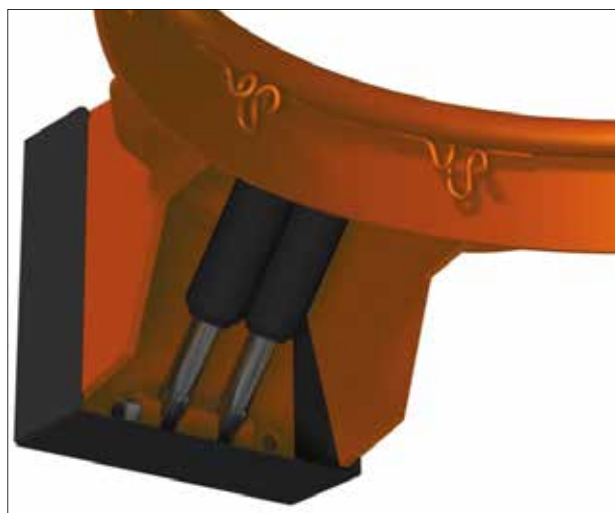
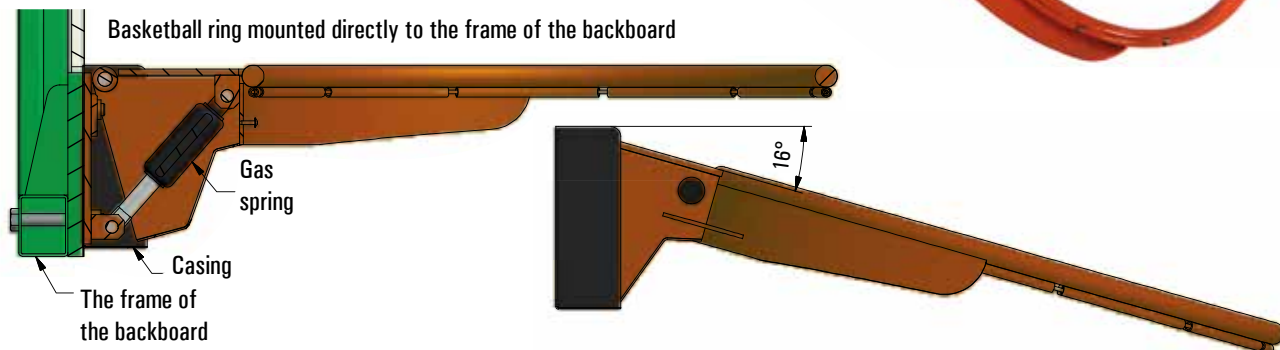


Basketball ring PRESSMATIC, tilting on gas springs

Additional strengthening improves its durability. The tilting mechanism uses gas springs. Closed casing of the tilting mechanism guarantees full safety.

By using modern technical solution, the ring returns immediately to the starting position and is vibration free.

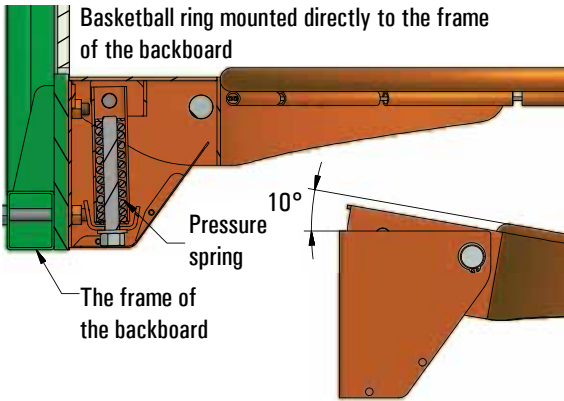
Powder coated (colour according to the regulations). Recommended assembly to backboards installed indoor (gymnasium, sports hall).



Art. No.	Basketball rings PRESSMATIC	Typical	Available on request
1-02	Basketball ring PRESSMATIC, equipped with a system of 12 safe hooks to attach the net	x	
1-02-1	Basketball ring PRESSMATIC, equipped with the safe net attaching system (without hooks)	x	
1-02-10	Basketball ring PRESSMATIC, with innovative, safe net attaching system, with bracing collar made of bent metal sheet with laser cut mounting holes for fixing the net		x

Basketball ring SPRINGMATIC, tilting on springs

The ring has a built-in tilting mechanism, using one or a few springs. It tilts with a load of approx. 35, 70 or 105 kg. Additional strengthening improves its durability. Available in two versions: mounted to backboards, installed indoor (powder coated models, colour in accordance with regulations) or installed outdoor (hot-dip galvanized).



Basketball rings SPRINGMATIC for indoor use	Art. No.	Tilts with a load	Typical	Available on request
Basketball ring SPRINGMATIC, powder coated, equipped with a system of 12 safe hooks to attach the net	1-06/35	35 kg		x
	1-06/70	70 kg		x
	1-06/105	105 kg		x
Basketball ring SPRINGMATIC, powder coated, net fixing system using the rod (without hooks)	1-06-1/35	35 kg	x	
	1-06-1/70	70 kg	x	
	1-06-1/105	105 kg	x	
Basketball ring SPRINGMATIC, powder coated, with bracing collar made of bent metal sheet with laser cut mounting holes for fixing the net	1-06-10/35	35 kg		x
	1-06-10/70	70 kg		x
	1-06-10/105	105 kg		x



Basketball rings SPRINGMATIC for outdoor use	Art. No.	Tilts with a load	Typical	Available on request
Basketball ring SPRINGMATIC, hot-dip galvanized, equipped with a system of 12 safe hooks to attach the chain net	1-06-3/35	35 kg		x
	1-06-3/70	70 kg		x
	1-06-3/105	105 kg		x
Basketball ring SPRINGMATIC, hot-dip galvanized, net fixing system using the rod (without hooks)	1-06-2/35	35 kg		x
	1-06-2/70	70 kg		x
	1-06-2/105	105 kg		x
Basketball ring SPRINGMATIC, hot-dip galvanized, equipped with 12 handles to attach the chain net	1-06-05/35	35 kg	x	
	1-06-05/70	70 kg	x	
	1-06-05/105	105 kg	x	
Basketball ring SPRINGMATIC, hot-dip galvanized, equipped with 8 handles to attach the chain net	1-06-4/35	35 kg		x
	1-06-4/70	70 kg		x
	1-06-4/105	105 kg		x
Basketball ring SPRINGMATIC, hot-dip galvanized, with bracing collar made of bent metal sheet with laser cut mounting holes for fixing the net	1-06-11/35	35 kg		x
	1-06-11/70	70 kg		x
	1-06-11/105	105 kg		x



STANDARD basketball rings

Reinforcement made of metal sheet 3 mm thick. Available in two versions: mounted to backboards, installed indoor (powder coated models, colour in accordance with regulations) or installed outdoor (hot-dip galvanized).



Art. No.	STANDARD basketball rings for indoor use	Typical	Available on request
1-01	STANDARD basketball ring, powder coated, equipped with a system of 12 safe hooks to attach the net	x	
1-01-1	STANDARD basketball ring, powder coated, net fixing system using the rod (without hooks)		x



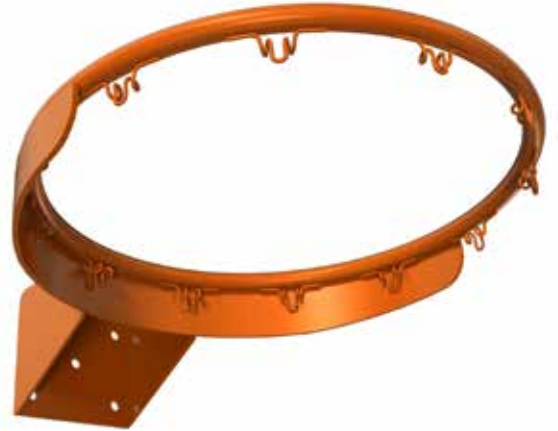
Art. No.	STANDARD basketball rings for outdoor use	Typical	Available on request
1-01-5	STANDARD basketball ring, hot-dip galvanized, equipped with 12 handles to attach the chain net	x	
1-01-4	STANDARD basketball ring, hot-dip galvanized, equipped with 8 handles to attach the chain net	x	
1-01-3	STANDARD basketball ring, hot-dip galvanized, equipped with a system of 12 safe hooks to attach the net		x
1-01-2	STANDARD basketball ring, hot-dip galvanized, net fixing system using the rod (without hooks)		x



REINFORCED basketball rings

Reinforcement made of metal sheet 5 mm thick. Available in two versions: mounted to backboards, installed indoor (powder coated models, colour in accordance with regulations) or installed outdoor (hot-dip galvanized).

Art. No.	REINFORCED basketball rings for indoor use	Typical	Available on request
1-04	REINFORCED basketball ring, powder coated, equipped with a system of 12 safe hooks to attach the net	x	
1-04-1	REINFORCED basketball ring, powder coated, net fixing system using the rod (without hooks)		x
1-04-10	REINFORCED basketball ring, powder coated, with bracing collar made of bent metal sheet with laser cut mounting holes for fixing the net		x



Art. No.	REINFORCED Basketball rings for outdoor use	Typical	Available on request
1-04-3	REINFORCED basketball ring, hot-dip galvanized, equipped with a system of 12 safe hooks to attach the net		x
1-04-2	REINFORCED basketball ring, hot-dip galvanized, net fixing system using the rod (without hooks)		x
1-04-5	REINFORCED basketball ring, hot-dip galvanized, equipped with 12 handles to attach the chain net		x
1-04-4	REINFORCED basketball ring, hot-dip galvanized, equipped with 8 handles to attach the chain net		x
1-04-11	REINFORCED basketball ring, hot-dip galvanized, with bracing collar made of bent metal sheet with laser cut mounting holes for fixing the net		x



POPULAR basketball rings

The ring intended for use in training sets, with stiffening bar supports. Available in two versions: mounted to backboards, installed indoor (powder coated models, colour in accordance with regulations) or installed outdoor (hot-dip galvanized).



Art. No.	POPULAR basketball rings for indoor use	Typical	Available on request
1-05	POPULAR basketball ring, powder coated, equipped with a system of 12 safe hooks to attach the net	x	
1-05-1	POPULAR basketball ring, powder coated, net fixing system using the rod (without hooks)		x



Art. No.	POPULAR basketball rings for outdoor use	Typical	Available on request
1-05-3	POPULAR basketball ring, hot dip galvanized, equipped with a system of 12 safe hooks to attach the net		x
1-05-2	POPULAR basketball ring, hot dip galvanized, net fixing system using the rod (without hooks)		x
1-05-5	POPULAR basketball ring, hot dip galvanized, equipped with 12 handles to attach the chain net		x
1-05-4	POPULAR basketball ring, hot dip galvanized, equipped with 8 handles to attach the chain net		x



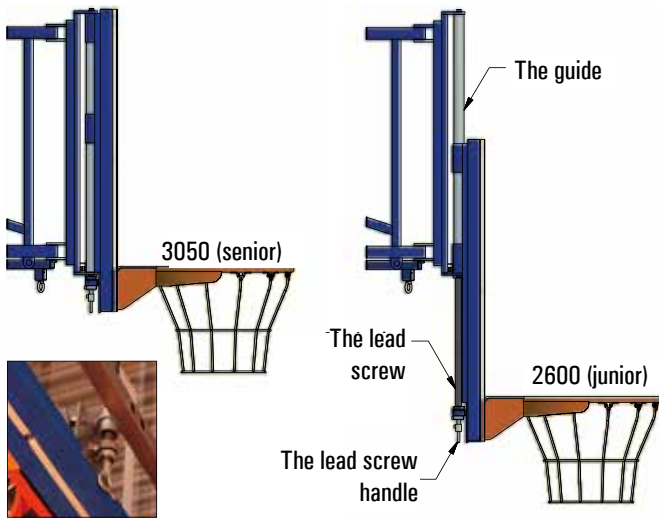
Galvanized chain nets, 8 or 12 fixing points



1-52 Basketball chain net, 8 fixing points

1-53 Basketball chain net, 12 fixing points





Height adjustment mechanism for basketball backboard

Height adjustment mechanism for basketball backboards 90x120 cm and 105x180 cm. The structure of this mechanism allows easily and quickly change the height of the backboard with the basketball ring in the range of 260 - 305 cm from the ground. This is done manually by turning the lead screw, made of the smooth rod with the diameter of 20 mm, with the control crank. Intended for backboards, installed on all types of mounting structures.

1-41 Height adjustment mechanism for basketball backboard 105x180 cm

1-42 Height adjustment mechanism for basketball backboard 90x120 cm

1-43 Height adjustment mechanism for basketball backboard 105x180 cm, hot dip galvanized

1-44 Height adjustment mechanism for basketball backboard 90x120 cm, hot dip galvanized

1-45 Electrical drive module for basketball backboard height adjustment mechanism (wired or wireless controlled)



Electrical drive

Basketball post protection pad

1-35 **1-35-15**

Made of sponge 5 cm thick, covered with PVC 650 g/m², fastened with Velcro, height: 200 cm. Available colours: blue, green, red.

Basketball nets

We offer a wide selection of nets for basketball rings. Among the models are training, tournament and professional nets.

Protective pads for basketball backboards

Made of polyurethane sponge, fixed to the edge of basketball backboard 90x120 cm or 105x180 cm, provides security during the game. Available colours: blue, green, red.



1-31 Protective pad for backboard 105x180 cm

1-33 Protective pad for backboard 90x120 cm

